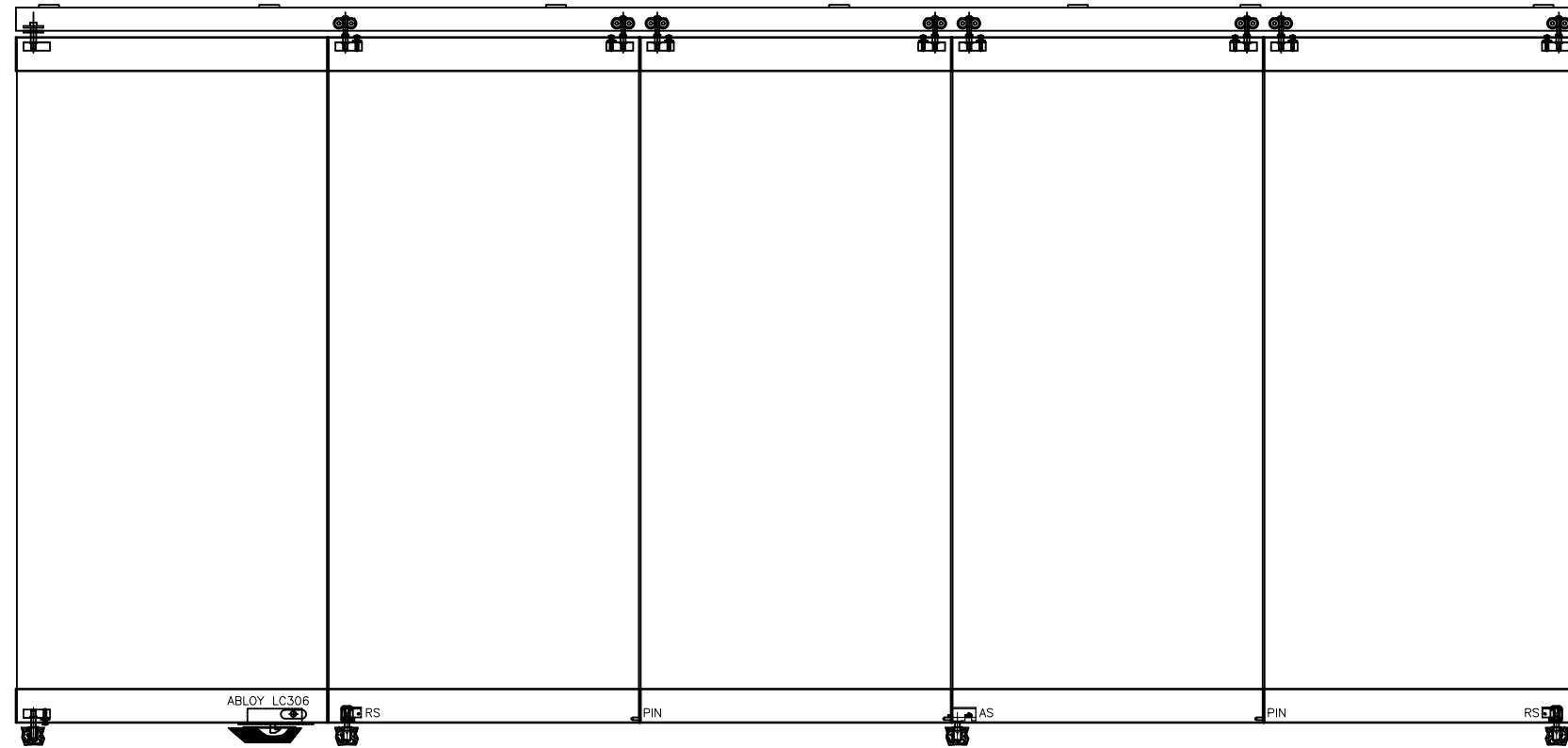


AS=AUTOMATIC FLOORBOLT
(PAT: FI111749)

RS=FLOORBOLT
(SIDE OPERATED)

PIN=LOCKING PIN

ABLOY LC306 +
ME202 ROUTING



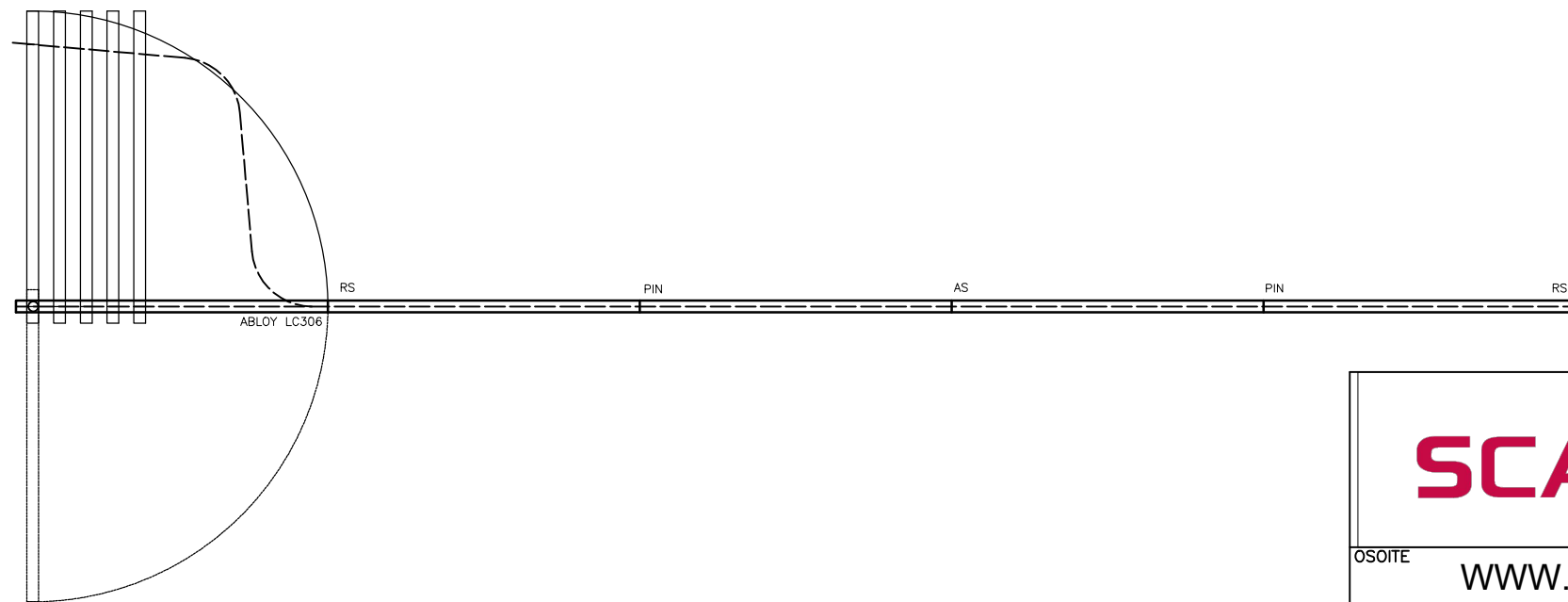
PIVOT-DOOR (D2) AS PASSDOOR / END PANEL.
NON SLIDING, HINGED BETWEEN FLOOR /
OVERHEAD TRACK.
OPENS 90-180 DEGREES
CAN BE EQUIPPED WITH:
- ABLOY / ASSA LOCKS,
- HANDLES
- DOOR CLOSER

SLIDING PANEL (STD PANEL)
LOCKED WHEN FRONTAGE CLOSED

SLIDING PANEL (STD PANEL)
LOCKED WHEN FRONTAGE CLOSED

SLIDING PANEL (STD PANEL)
LOCKED WHEN FRONTAGE CLOSED

SLIDING PANEL (STD PANEL)
LOCKED WHEN FRONTAGE CLOSED



TECHNICAL DATA:

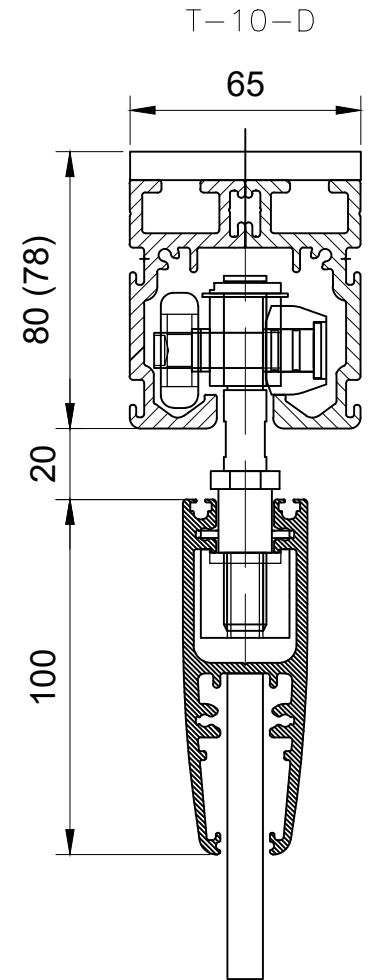
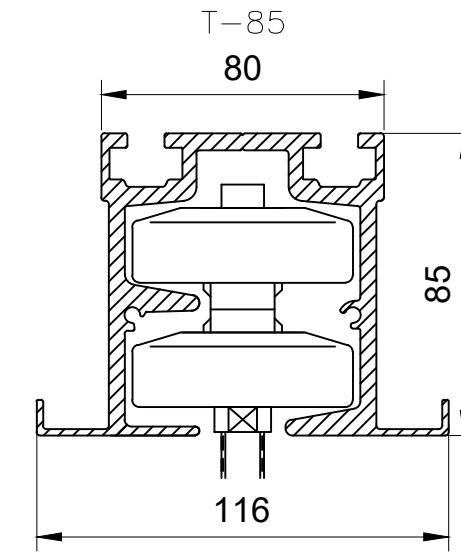
- OVERHEAD TRACK T-10-D / T-85
- NO FLOOR GUIDETRIM
- CARRIER: C-10-S
- AUTOMATIC FLOORBOLT LOCKING (PAT: FI111749)
- ABLOY / ASSA / iLOQ LOCKFRAMES AVAILABLE
- ALUMINUM PROFILE 100mm IN TOP- / BOTTOM
- GLASS OPTIONS: 10mm OR 12mm TEMPERED SAFETYGLASS, OR 55,2mm AND 66,2mm TEMPERED AND LAMINATED SAFETYGLASS.
- BURGLAR-RESISTANT GLASSES P4A AND P6B

NUMBERS:

- MAX PANEL HIGHT: 4500mm
- MAX WALL WIDHT: NO LIMITATION, 1 OFF STACKING AREA REQUIRED BETWEEN EVERY 10 METERS
- MAX PANEL WIDTH: 1300mm
- WEIGHT: 25-35 kg/m², DEPENDING ON GLASS-TYPE

OTHER:

- PROFILES SAA, POWDER COATED, STAINLESS STEEL OR BRASS COVERING
- RUBBER - / BRUSH SEALS IN BOTTOM AND VERTICAL AS AN OPTION
- DOOR OPTIONS: D2
- IN PICTURE STOCKING OPTION 1, CAN BE CONVERT IF NEEDED



SCANMIKAEL

OSOITE WWW.SCANMIKAEL.COM
ADDRESS info@scanmikael.com
e-mail

Tehty piirustuksesta		Työnumero	
Drawn from Asiakas		Job.no.	
Client	Massa kg	Suhde	
Weight kg	25-35kg/m ²		
DESIGNER	DATE	Scale	
	9.6.2020		
TUOTE KOODI	ARKKI KOKO	Muutos	
L35-1			
PRODUCT CODE	Paper Size	Rev.	