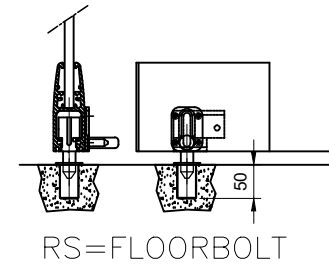
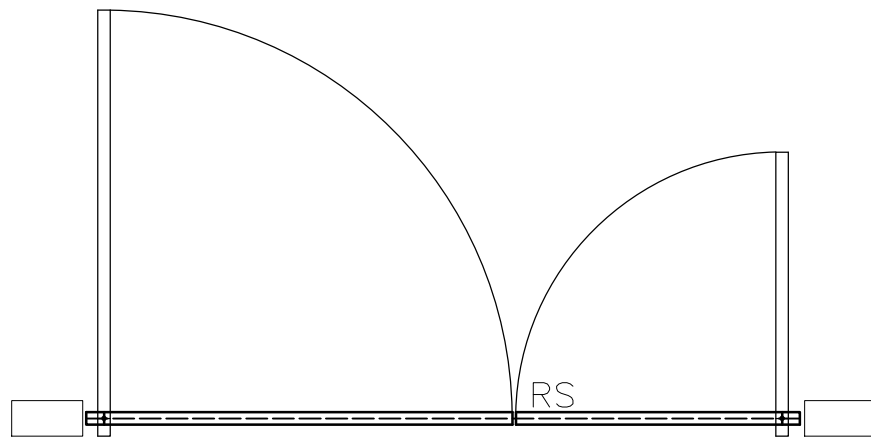
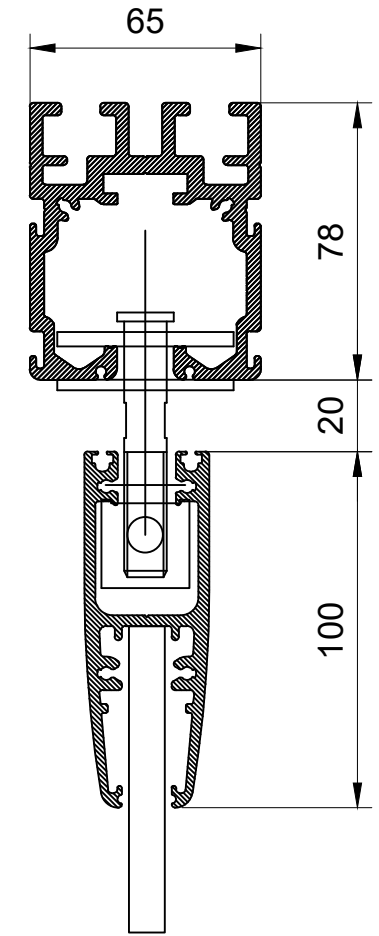


PIVOT-DOOR (D2) AS PASSDOOR /END PANEL.  
NON SLIDING, HINGED BETWEEN FLOOR /  
OVERHEAD TRACK.  
OPENS 90-180 DEGREES  
CAN BE EQUIPPED WITH:  
- ABLOY / ASSA LOCKS,  
- HANDLES  
- DOOR CLOSER

PANEL, NON SLIDING, HINGED  
BETWEEN FLOOR /  
OVERHEAD TRACK.  
FLOORBOLT LOCKING



RS=FLOORBOLT



TECHNICAL DATA:

- FIXE, SINGLE OR DOUBLE DOOR (TRACK T-10-D NOT NECESSARY)
- NO FLOOR GUIDE TRACK
- LAAKEROIDUT SARANA-AKSELIT
- ABLOY / ASSA /iLOQ , ABLOY LC306 IN BOTTOM PROFILE, ABLOY 4260 IN GLASS.
- GLASS OPTION: 10mm OR 12 mm TEMPERED SAFETYGLASS, AND 55,2mm AND 66,2mm TEMPERED AND LAMINATED SAFETYGLASS.
- BURGLAR-RESISTANT GLASSES P4A AND P6B

NUMBERS:

- MAX HIGHT: 4500mm
- MAX WEIGHT: 100KG
- MAX PANEL WIDHT: 3500mm
- WEIGHT: 25 - 35 kg/m<sup>2</sup>, DEPENDING ON GLASS-TYPE
- OTHER SIXES: CONTACT THE SELLER

OTHERS:

- EMERENZY EXIT HANDLES POSSIBLE UPON REQUEST
- PROFILES: SAA, POWDER COATING, STAINLESS STEEL OR BRASS COVERING
- BRUSH- AND RUBBER SEALS AVAILABLE
- GLASS CHANGE BOSSIBLE WITHOUT PROFILE CHANGE

		Tehty piirustuksesta		Työnumero	
		Drawn from		Job.no.	
OSOITE <b>WWW.SCANMIKAEL.COM</b>		Client		Suhde 	
		Asiakas			
ADDRESS <b>info@scanmikael.com</b>		DESIGNER		DATE	
				13.2.2020	
e-mail		TUOTE KOODI		ARKKI KOKO	
		<b>L35-D</b>		Muutos	
		PRODUCT CODE		Paper Size	
				Rev.	