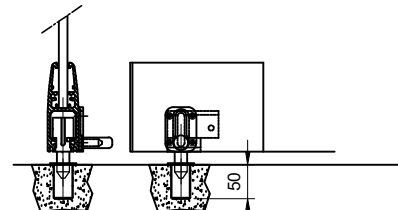
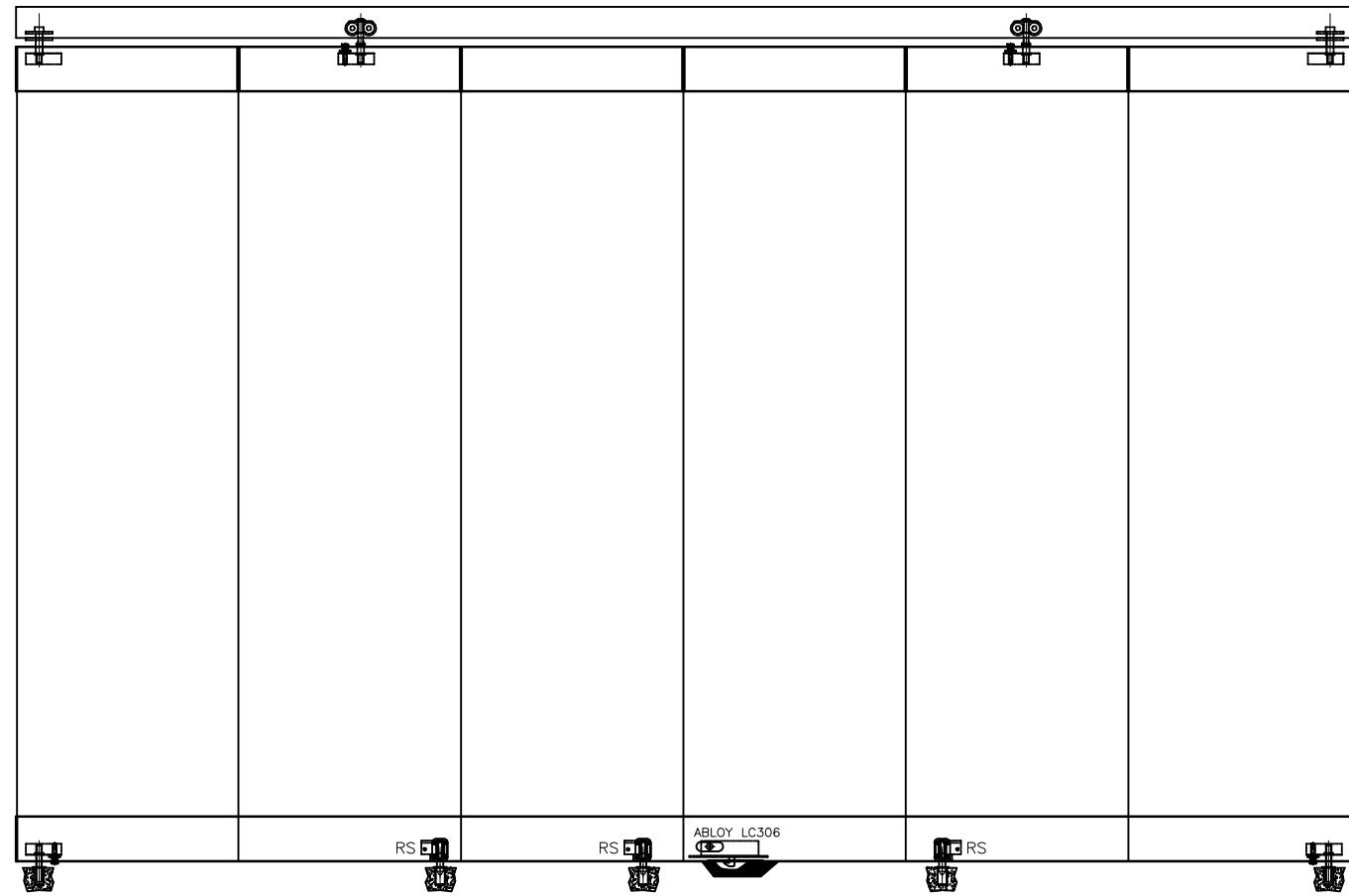
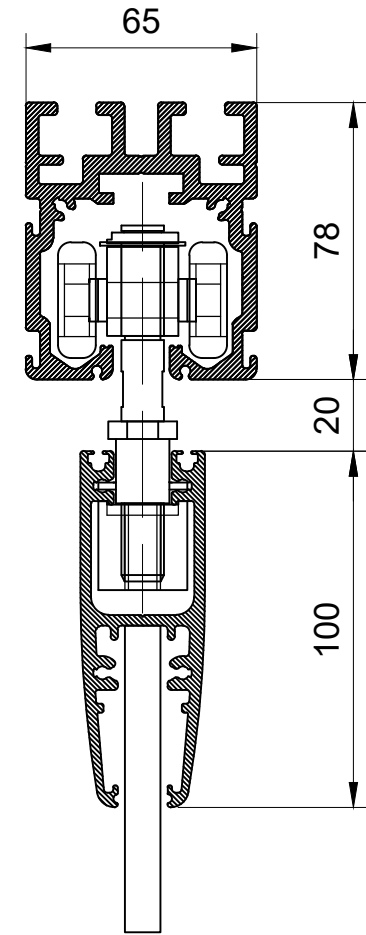


ABLOY LC306 +  
ME202 ROUTING



RS=FLOORBOLT



PANEL NON-SLIDING, HINGED BETWEEN FLOOR/OVERHEAD TRACK LOCKED WHEN FRONTAGE CLOSEST

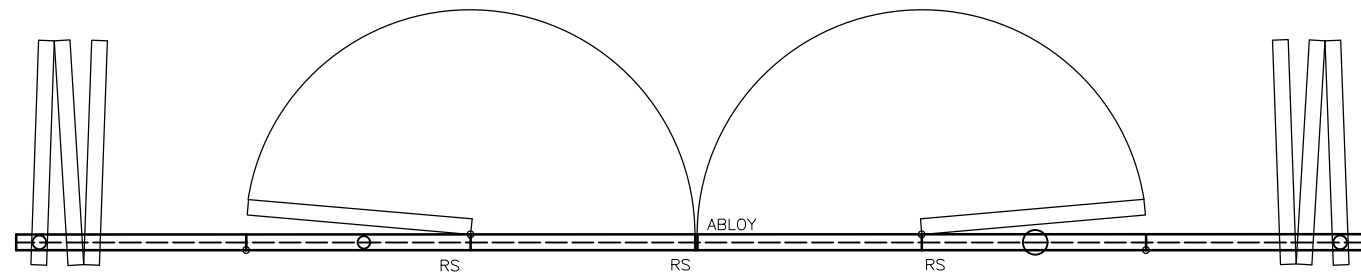
SLIDING PANEL (STD PANEL) LOCKED WHEN FRONTAGE CLOSED

PASSDOOR (D1). SLIDING PANEL, HINGED INTO PANEL NEXT TO IT OPENS 90-170 DEGREES CAN BE EQUIPPED WITH:  
- ABLOY/ASSA LC306/4260  
- HANDLES

PASSDOOR (D1). SLIDING PANEL, HINGED INTO PANEL NEXT TO IT OPENS 90-170 DEGREES CAN BE EQUIPPED WITH:  
- ABLOY/ASSA LC306/4260  
- HANDLES

SLIDING PANEL (STD PANEL) LOCKED WHEN FRONTAGE CLOSED

PANEL NON-SLIDING, HINGED BETWEEN FLOOR/OVERHEAD TRACK LOCKED WHEN FRONTAGE CLOSEST



TECHNICAL DATA:

- OVERHEAD TRACK T-10-DX
- NO FLOOR GUIDETRIM
- CARRIER: C-10-D
- ABLOY / ASSA / iLOQ LOCKFRAMES AVAILABLE
- ALUMINUM PROFILE 100mm IN TOP- / BOTTOM
- GLASS OPTIONS: 10mm OR 12mm TEMPERED OR 55,2mm AND 66,2mm TEMPERED AND LAMINATED SAFETYGLASS.
- BURGLAR-RESISTANT GLASSES P4A AND P6B

NUMBERS:

- MAX PANEL HEIGHT: 3000mm
- MAX WALL WIDTH: 4400mm (TWO-PIECE)
- MAX PANEL WIDTH: 700-800mm
- WEIGHT: 25-35 kg/m<sup>2</sup>, DEPENDING ON GLASS-TYPE

OTHER:

- PROFILES: SAA, POWDER COATED, STAINLESS STEEL OR BRASS COVERING
- DOOR OPTIONS: D1
- ECCENTRIC HANGING
- PANELS HINGED TOGETHER
- RUBBER- / BRUSH SEALS IN BOTTOM AND VERTICAL AS AN OPTION

		Tehty piirustuksesta		Työnumero	
		Drawn from Asiakas		Job.no.	
OSOITE <a href="http://WWW.SCANMIKAEL.COM">WWW.SCANMIKAEL.COM</a>  ADDRESS <a href="mailto:info@scanmikael.com">info@scanmikael.com</a> e-mail		Client	Massa kg	Suhde	
		DESIGNER	Weight kg		
		25-35kg/m <sup>2</sup>		13.2.2020	Scale
		TUOTE KOODI		ARKKI KOKO	Muutos
		L35-FEC2			
		PRODUCT CODE		Paper Size	Rev.