

HALF PANEL
 NON-SLIDING, HINGED BETWEEN
 FLOOR/OVERHEAD TRACK
 LOCKED WHEN FRONTAGE CLOSED

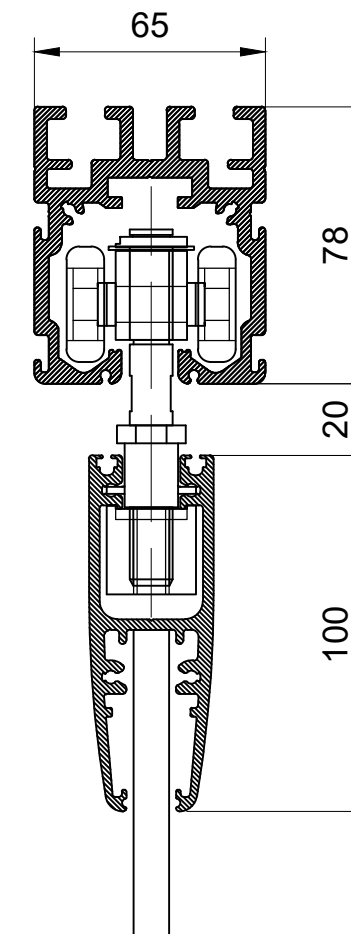
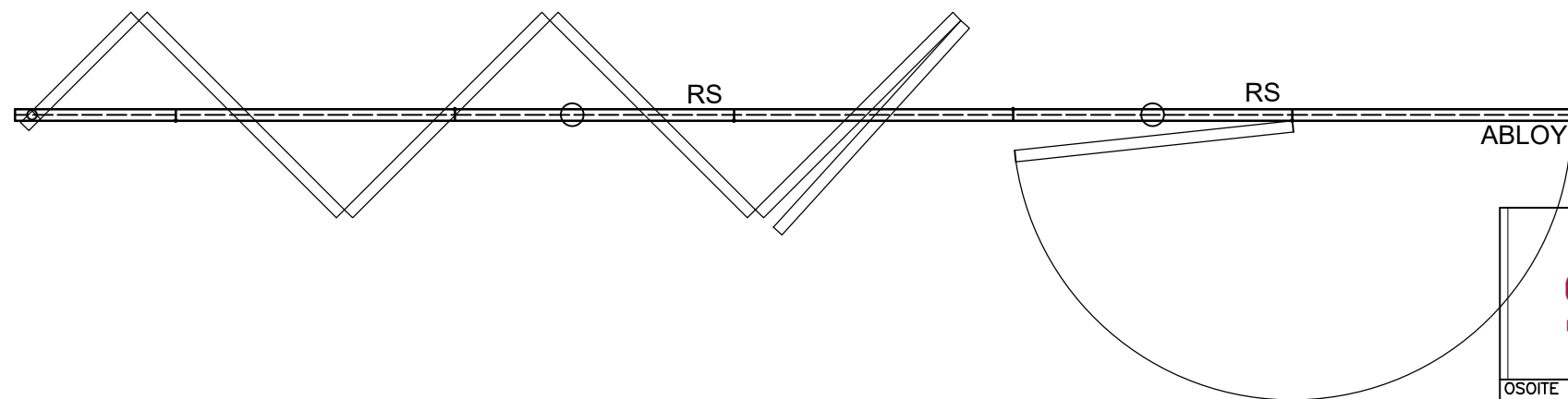
SLIDING PANEL (STD PANEL)
 LOCKED WHEN FRONTAGE CLOSED

SLIDING PANEL (STD PANEL)
 LOCKED WHEN FRONTAGE CLOSED

SLIDING PANEL (STD PANEL)
 LOCKED WHEN FRONTAGE CLOSED

SLIDING PANEL (STD PANEL)
 LOCKED WHEN FRONTAGE CLOSED

PASSDOOR (D1).
 SLIDING PANEL, HINGED INTO PANEL NEXT TO IT
 OPENS: 90-170 DEGREES
 CAN BE EQUIPPED WITH:
 - ABLOY / ASSA LC306 / 4260
 - HANDLES



TECHNICAL DATA:

- OVERHEAD TRACK T-10-D
- NO FLOOR GUIDETRIM
- CARRIER: C-10-D
- ABLOY / ASSA / iLOQ LOCKFRAMES AVAILABLE
- ALUMINUM PROFILE 100mm IN TOP- / BOTTOM
- GLASS OPTIONS: 10mm OR 12mm TEMPERED OR 55,2mm AND 66,2mm TEMPERED AND LAMINATED SAFETYGLASS.
- BURGLAR-RESISTANT GLASSES P4A AND P6B

NUMBERS:

- MAX PANEL HIGHT: 3600mm
- MAX WALL WIDHT: NO LIMITATION
- MAX PANEL WIDTH: 900mm
- WEIGHT: 25-35 kg/m2, DEPENDING ON GLASS-TYPE

OTHER:

- PROFILES: SAA, POWDER COATED, STAINLESS STEEL OR BRASS COVERING
- DOOR OPTIONS: D1
- CENTRIC HANGING
- PANELS HINGED TOGETHER
- RUBBER- / BRUSH SEALS IN BOTTOM AND VERTICAL AS AN OPTION

SCANMIKAEL

OSOITE WWW.SCANMIKAEL.COM
 ADDRESS info@scanmikael.com
 e-mail

Tehty piirustuksesta		Työnumero	
Drawn from Asiakas		Job.no.	
Client	Massa kg	Suhde	
Weight kg	25-35kg/m2	DATE	
DESIGNER	13.2.2020	Scale	
TUOTE KOODI	ARKKI KOKO	Muutos	
L35-F			
PRODUCT CODE	Paper Size	Rev.	