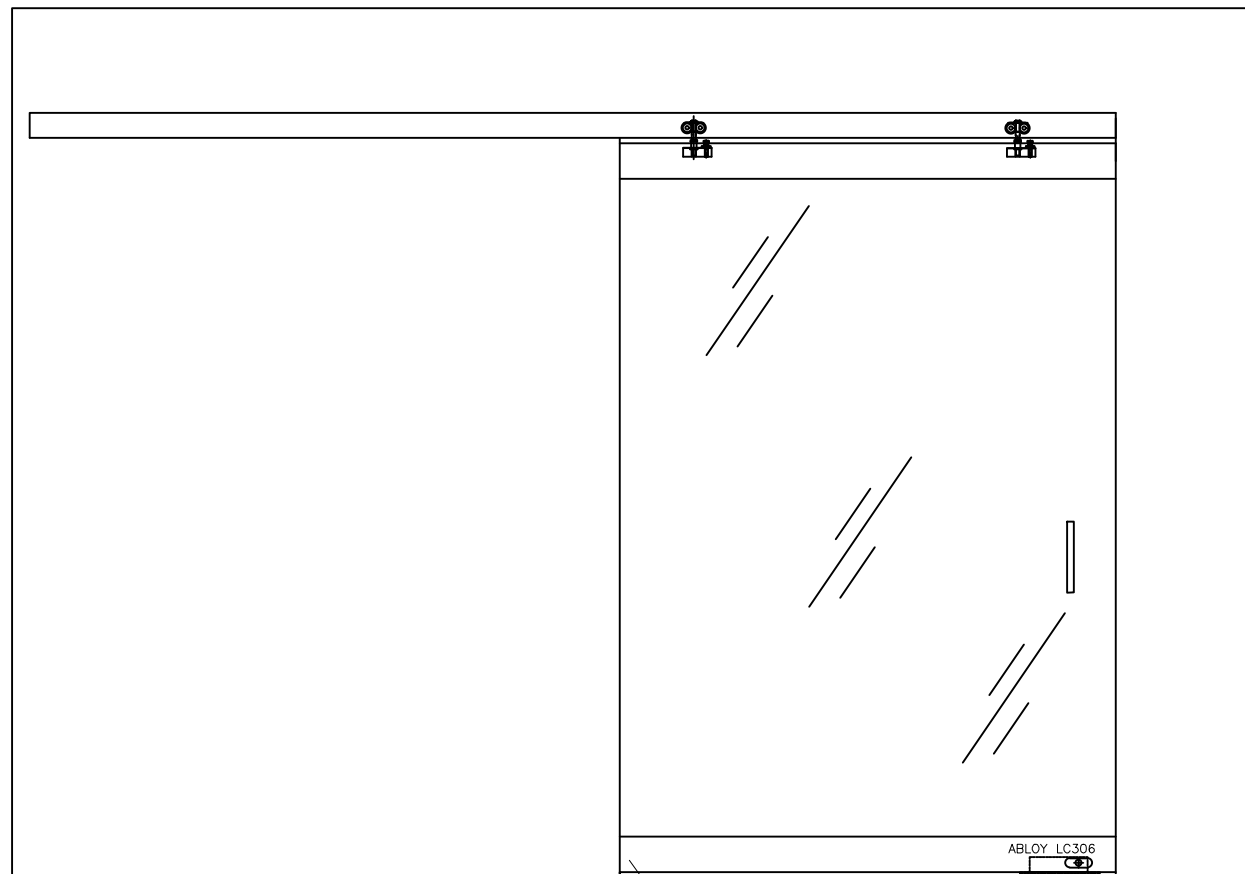
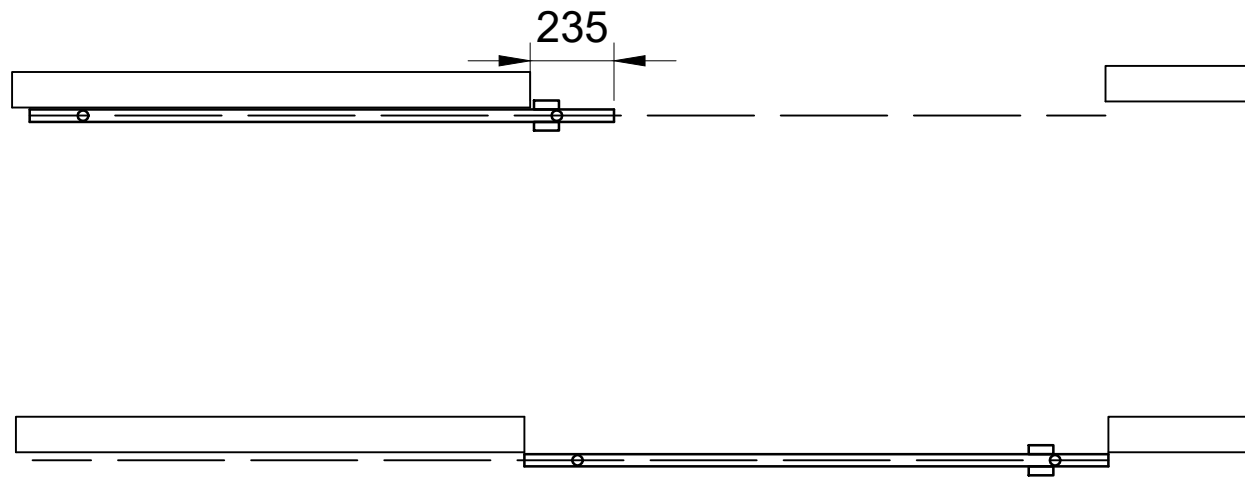
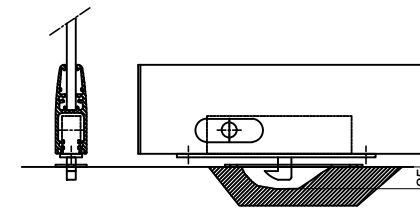


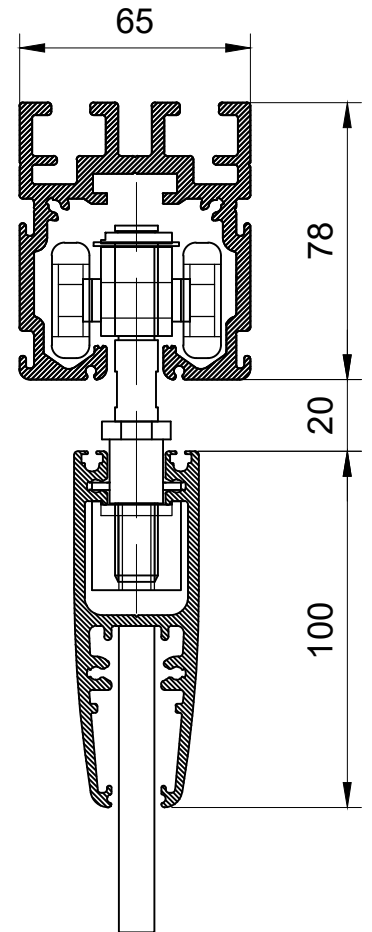
space for locking ~235mm



H, panel = H, underside of track -35



ABLOY LC306 +  
ME202 ROUTING



TECHNICAL DATA:

- OVERHEAD TRACK T-10-D
- NO FLOOR GUIDETRIM
- CARRIER: C-10-D
- ABLOY / ASSA / iLOQ LOCKFRAMES AVAILABLE
- ALUMINUM PROFILE 100mm IN TOP- / BOTTOM
- GLASS OPTIONS: 10mm OR 12mm TEMPERED OR 55,2mm AND 66,2mm TEMPERED AND LAMINATED SAFETYGLASS
- BURGLARY-RESISTANT GLASSES P4A ANS P6B

NUMBERS:

- MAX HIGHT: 4500mm
- MAX WEIGHT: 150KG
- MAX WIDTH: 3500mm
- WEIGHT: 25-35 kg/m2, DEPENDING ON GLASS-TYPE

OTHER:

- PROFILES: SAA,POWDER COATED, STAINLESS STEEL OR BRASS COVERING
- CAN BE DONE WITHOUT SOLID GLASS
- RUBBER- / BRUSH SEALS IN BOTTOM AND VERTICAL AS AN OPTION

CAN BE EQUIPPED WITH::

- ABLOY / ASSA LC306 / 4260
- ALLSO LOCK ON THE GLASS IS POSSIBLE
- HANDLES
- SOFT CLOSER

**SCANMIKAEL**

OSOITE

WWW.SCANMIKAEL.COM

ADDRESS  
e-mail

info@scanmikael.com

Tehty piirustuksesta

Drawn from  
Asiakas

Client

Massa kg

Weight kg 25-35kg/m2

DESIGNER

DATE

13.2.2020

TUOTE KOODI

L35-SD

PRODUCT CODE

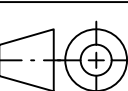
Työnumero

Job.no.

Suhde

ARKKI KOKO

Paper Size



Scale

Muutos

Rev.