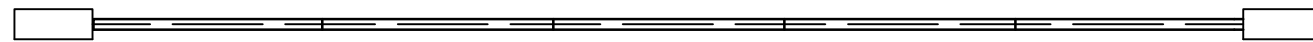
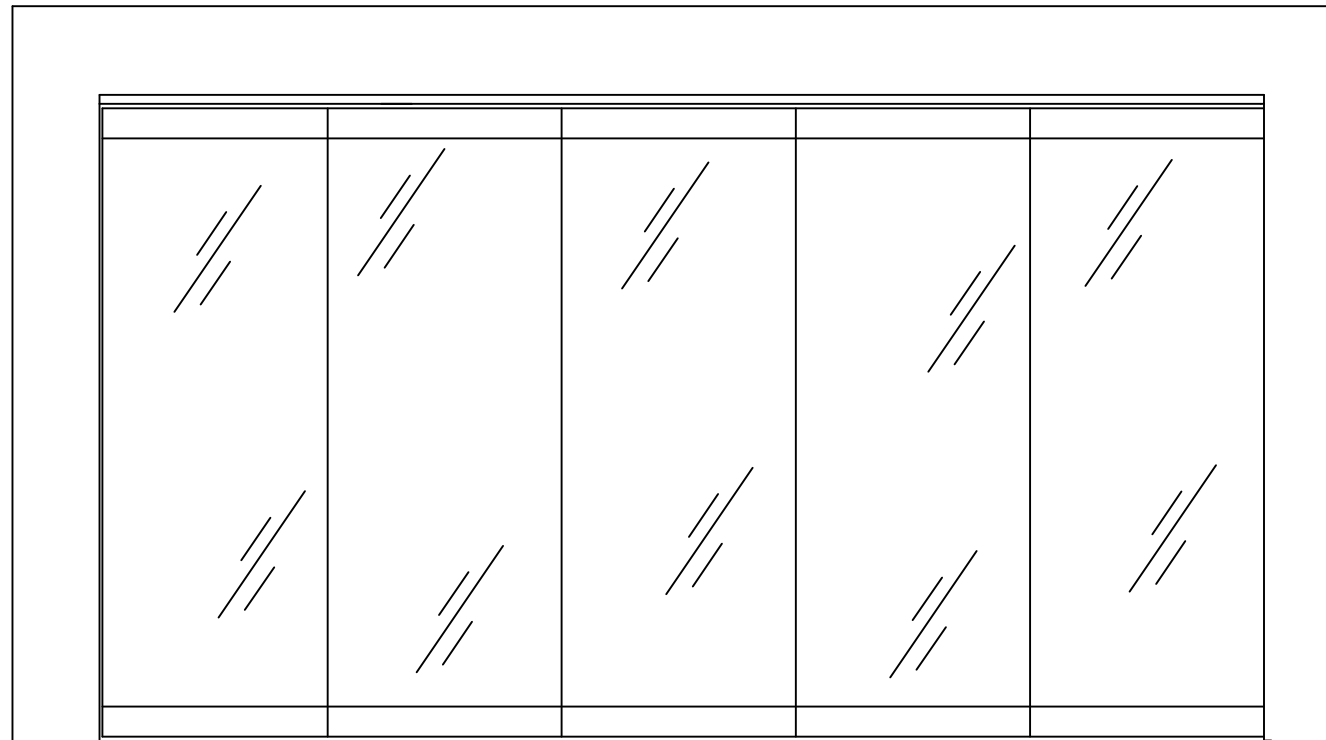
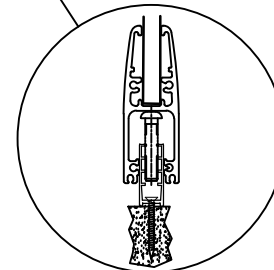
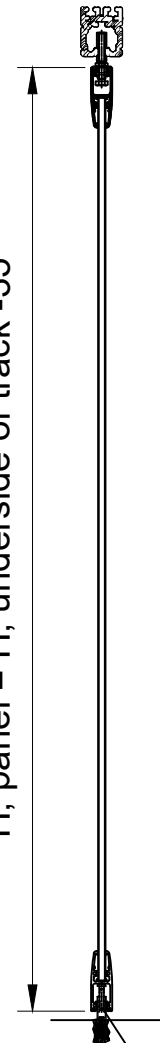


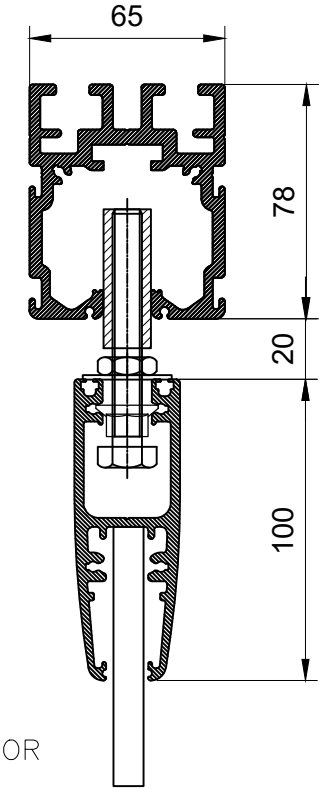
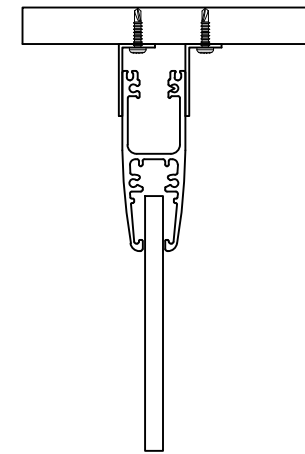
This document must not be copied without the written permission of the company. The company must not be held responsible for any errors or omissions. The company must not be held responsible for any damage caused by the use of the information provided in this document.



H, panel = H, underside of track -35



MOUNTING OPTION



TECHNICAL DATA:

- OVERHEAD TRACK T-10-DX
- ADJUSTING BASE (aluminum) ON THE FLOOR
- NO CARRIER
- ALUMINUM PROFILE 100mm IN TOP- / BOTTOM
- GLASS OPTIONS: 10mm OR 12mm TEMPERED SAFETYGLASS, OR 55,2mm AND 66,2mm TEMPERED AND LAMINATED SAFETYGLASS.
- BURGLAR-RESISTANT GLASSES P4A AND P6B

NUMBERS:

- MAX PANEL HIGHT: 4500mm
- MAX WALL WIDHT: NO LIMITATION
- MAX PANEL WIDTH: 2000mm
- WEIGHT: 25-35 kg/m2, DEPENDING ON GLASS-TYPE

OTHER:

- GLASSES "REST" ON THE FLOOR ADJUSTING BASE, NO WEIGHT ON OVERHEAD TRACK
- PROFILES SAA, POWDER COATED, STAINLESS STEEL OR BRASS COVERING
- RUBBER - / BRUSH SEALS IN BOTTOM AND VERTICAL AS AN OPTION
- DOOR OPTIONS: D1 OR SLIDING DOOR

SCANMIKAEL

OSOITE WWW.SCANMIKAEL.COM

ADDRESS info@scanmikael.com
e-mail

Tehty piirustuksesta	Työnumero
Drawn from	Job.no.
Asiakas	
Client	
Massa kg	Suhde
Weight kg	
DESIGNER	DATE
	13.2.2020
TUOTE KOODI	Scale
L35-SOLID	
PRODUCT CODE	ARKKI KOKO
	Paper Size
	Muutos
	Rev.

This document must not be copied without the written permission of the company. The company must not be held responsible for any errors or omissions. The company must not be held responsible for any damage caused by the use of the information provided in this document.