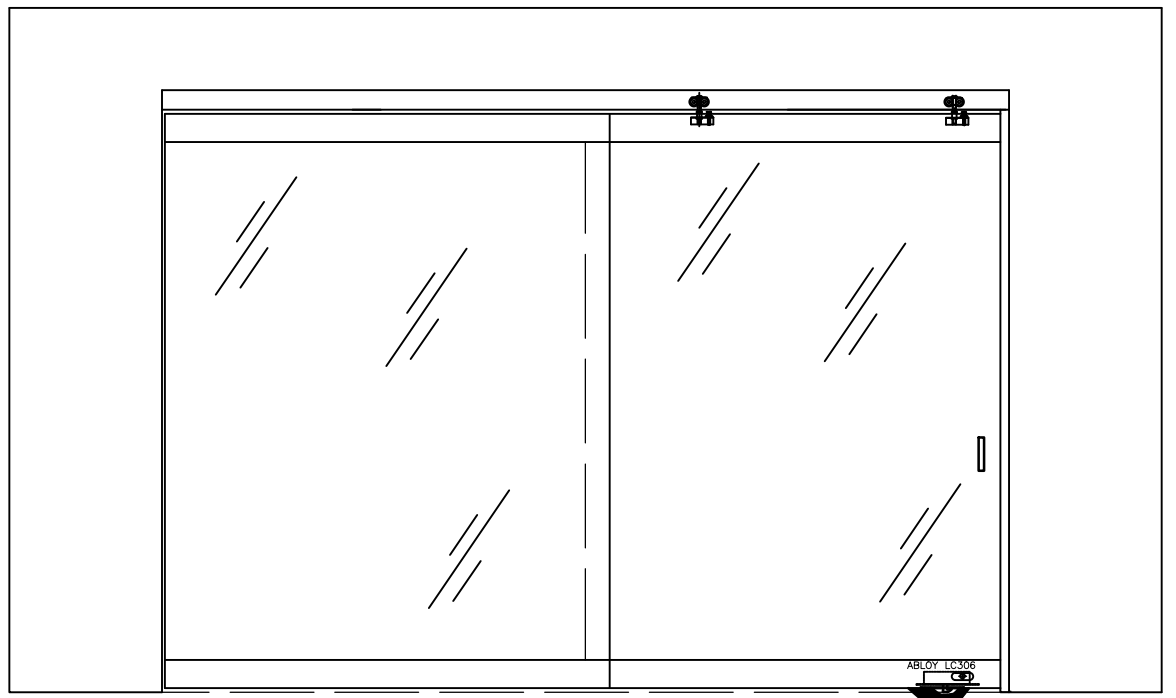
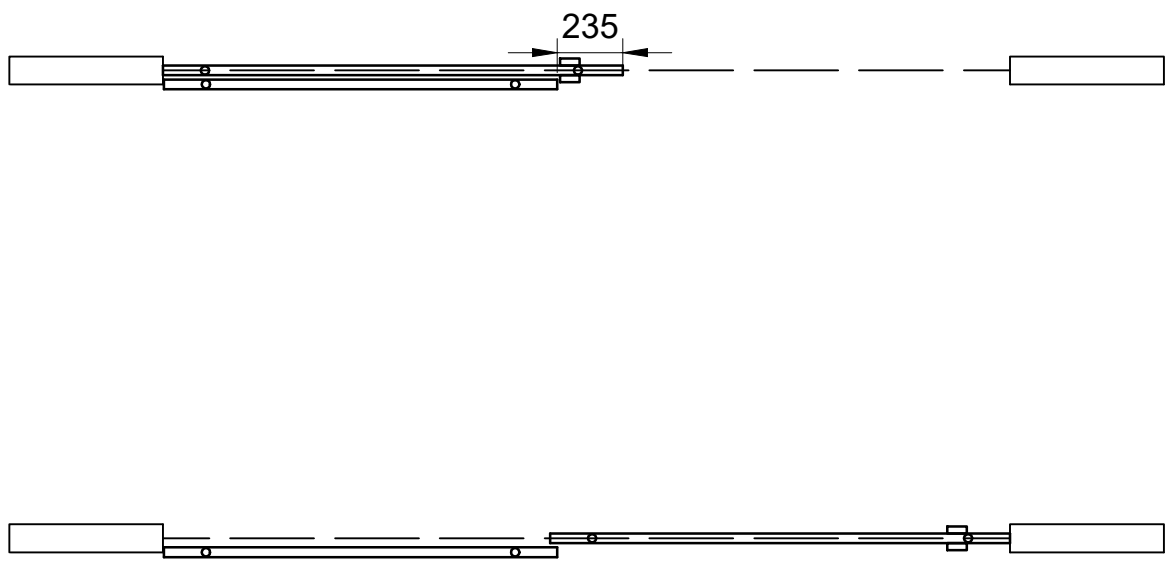


This document must not be copied, altered or otherwise reproduced without the written permission of the company. It must not be used for any other purpose than the one intended. The company will not be responsible for any damage or loss of any kind caused by the use of this document.

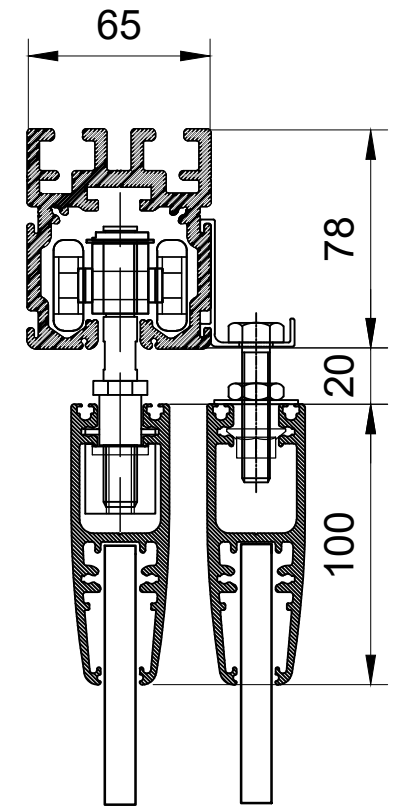
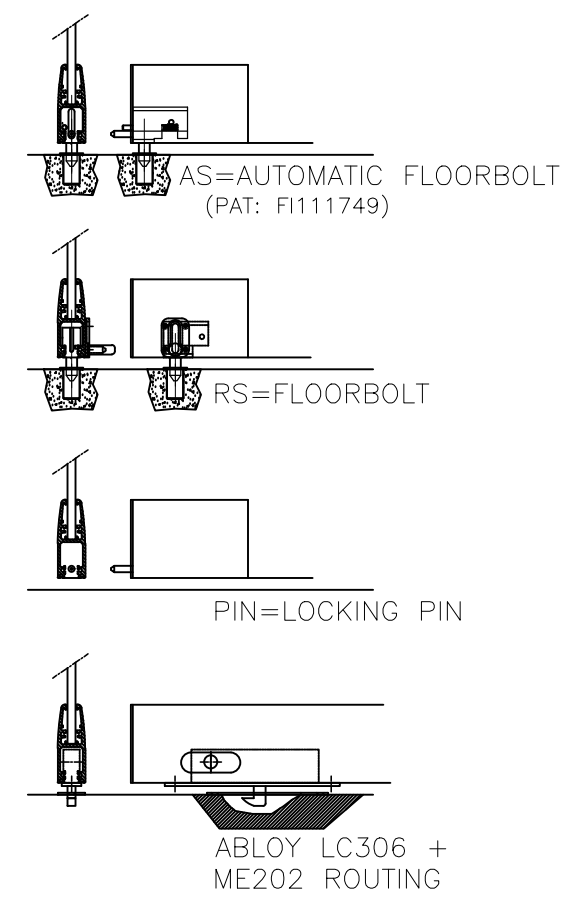
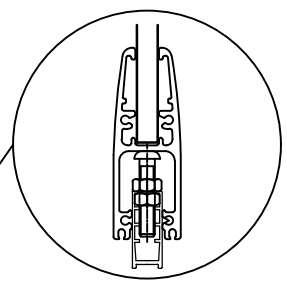
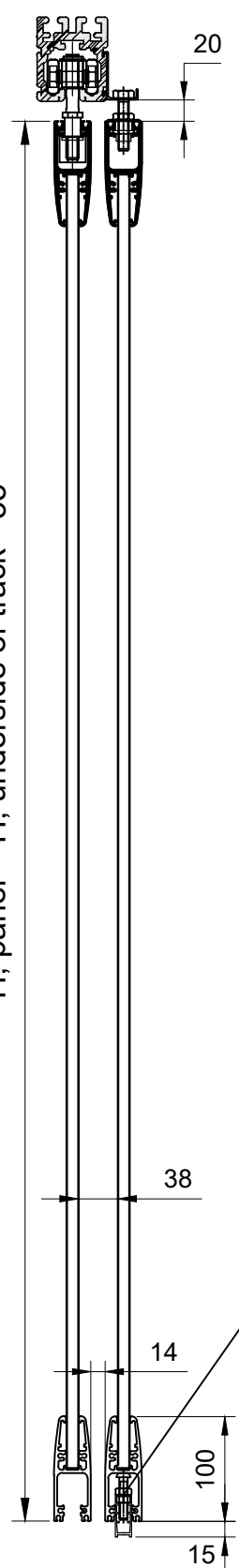
SPACE FOR LOCKING ~235mm



CAN BE EQUIPPED WITH::

- ABLOY / ASSA LC306 / 4260
- ALSO LOCK ON THE GLASS IS POSSIBLE
- HANDLES
- SOFT CLOSER

H, panel = H, underside of track - 35



- TECHNICAL DATA:
- OVERHEAD TRACK T-10-D
 - NO FLOOR GUIDETRIM
 - CARRIER: C-10-D
 - AUTOMATIC FLOORBOLT LOCKING (PAT: F111749)
 - ABLOY / ASSA / iLOQ LOCKFRAMES AVAILABLE
 - ALUMINUM PROFILE 100mm IN TOP- / BOTTOM
 - GLASS OPTIONS: 10mm OR 12mm TEMPERED OR 55,2mm AND 66,2mm TEMPERED AND LAMINATED SAFETYGLASS.
 - BURGLAR-RESISTANT GLASSES P4A AND P6B

- NUMBERS:
- MAX PANEL HIGHT: 4500mm
 - MAX WALL WIDHT: NO LIMITATIONS
 - MAX PANEL WIDTH: 2100mm
 - WEIGHT: 25-35 kg/m², DEPENDING ON GLASS-TYPE

- OTHER:
- PROFILES: SAA, POWDER COATED, STAINLESS STEEL OR BRASS COVERING
 - CAN BE DONE WITHOUT SOLID GLASS
 - RUBBER- / BRUSH SEALS IN BOTTOM AND VERTICAL AS AN OPTION

SCANMIKAEL

OSOITE WWW.SCANMIKAEL.COM
 ADDRESS info@scanmikael.com
 e-mail

Tehty piirustuksesta		Työnumero	
Drawn from Asiakas		Job.no.	
Client	Massa kg	Suhde	
Weight kg	25-35KG/m ²		
DESIGNER	DATE	Scale	
	13.2.2020		
TUOTE KOODI	ARKKI KOKO	Muutos	
L35-S			
PRODUCT CODE	Paper Size	Rev.	

This document must not be copied, altered or otherwise reproduced without the written permission of the company. It must not be used for any other purpose than the one intended. The company will not be responsible for any damage or loss of any kind caused by the use of this document.