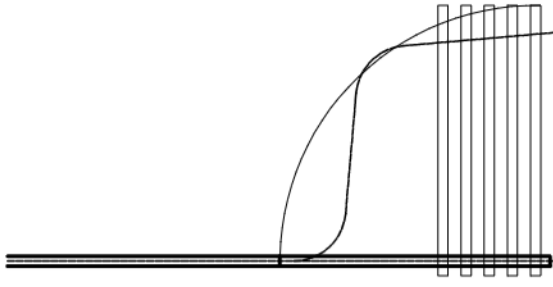
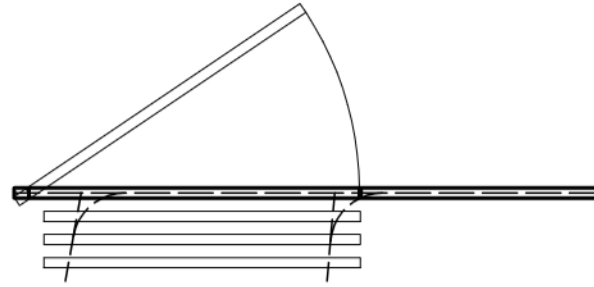


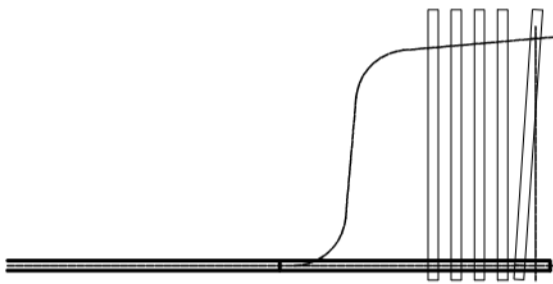
SCANMIKAEL L-35 PANEL STACKING



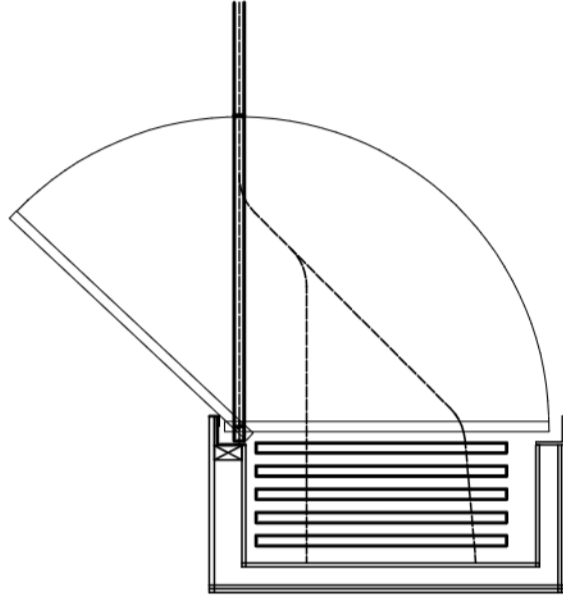
STACKING TYPE 1
 *ELEMENTS AT A 90 DEGREE ANGLE TO THE WALL LINE
 *D2-DOOR AS DOOR OR CLOSER PANEL



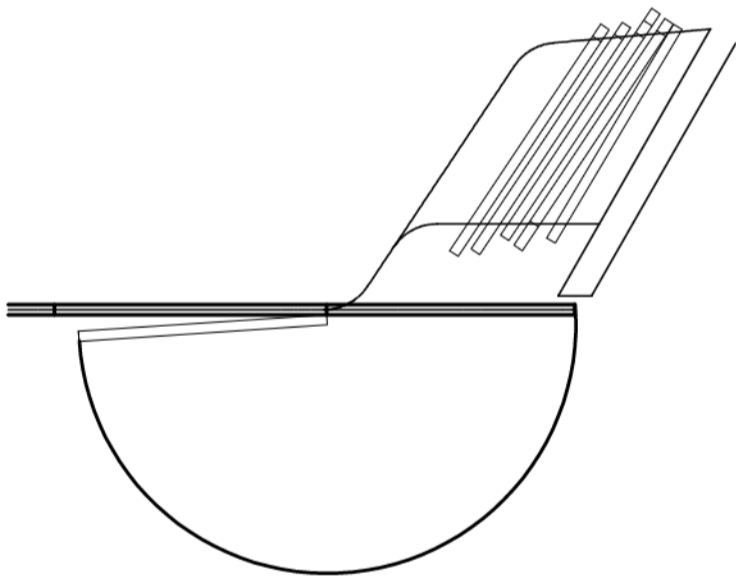
STACKING TYPE 4
 *ELEMENTS PARALLEL WITH THE WALL LINE
 *D2-DOOR AS DOOR OR CLOSER PANEL



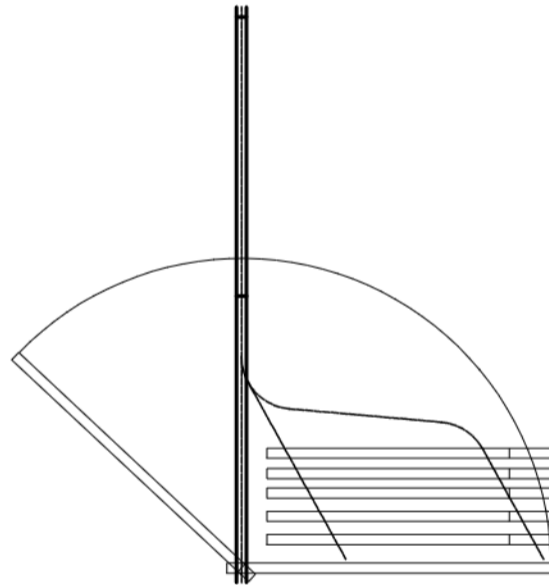
STACKING TYPE 5
 *ELEMENTS AT A 90 DEGREE ANGLE TO THE WALL LINE
 *NO D2-DOOR REQUIRED



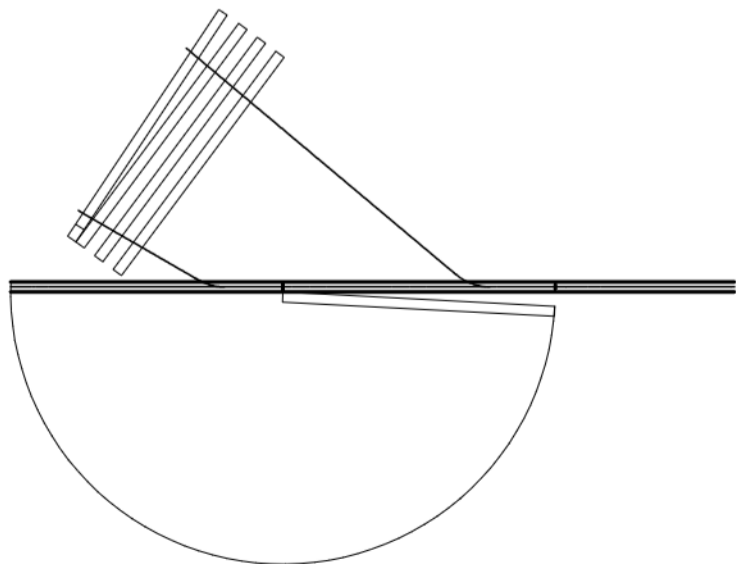
STACKING TYPE 3
 *ELEMENTS AT A 90 DEGREE ANGLE TO THE WALL LINE
 *D2-DOOR AS DOOR AND CLOSER ELEMENT AS WELL AS PROTECTION OF STORED ELEMENTS ON STORAGE



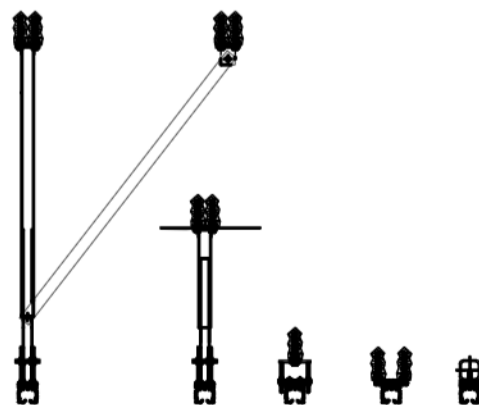
STACKING TYPE 3
 *ELEMENTS AT A 45-90 DEGREE ANGLE TO THE WALL LINE
 *D1-DOOR AS DOOR OR CLOSER ELEMENT



STACKING TYPE 3
 *ELEMENTS AT A 90 DEGREE ANGLE TO THE WALL LINE
 *D2-DOOR AS DOOR OR CLOSER ELEMENT



SPECIAL STACKINGS
 *ENABLES ELEMENT TO BE OVER A 90 DEGREE ANGLE TO THE WALL LINE
 *D1-DOOR AS DOOR OR CLOSER ELEMENT



VARIOUS OPTIONS SUSPENDING T-10-D TRACK